

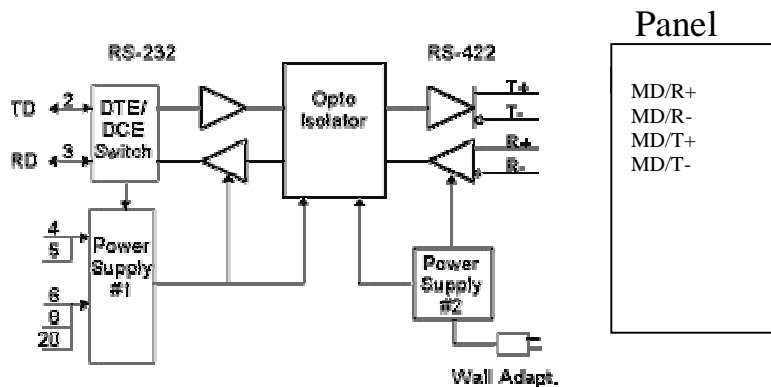
CONTINENTAL INSTRUMENTS LLC
 355 BAYVIEW AVENUE
 AMITYVILLE, NEW YORK 11701
 PH# (631) 842-9400 FAX# (631) 842-9135
 E-MAIL CIC@CICACCESS.COM

Wiring Instructions using Continental Panels
 with Telebyte Model 265 RS232 to 422 Converter
Polling Line Converter Continental P/N CICE1942

This product is not intended to be used in multi-drop mode.

- 1) Set DCE\DTE switch to DTE on Converter. A DB9 F to DB25 F will be provided with Converter to support switch selection.

Model 265 Converter	Panel Polling
TB1/T+	MD/R+
TB1/T-	MD/R-
TB1/R+	MD/T+
TB1/R-	MD/T-



Cable Wiring Pin Assignments

DB9 (com port)	DB25 (converter)
2 Receive data	2 Transmit data
3 Transmit data	3 Receive data
5 Signal Ground	7 Signal Ground

