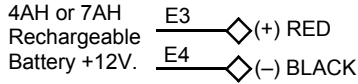


NETWORXPANEL WIRING DIAGRAM

(see WI1856)

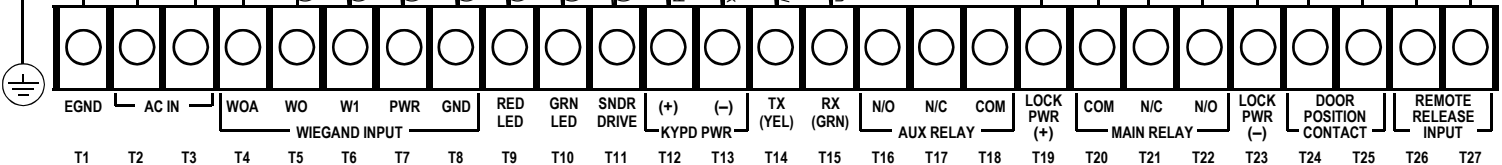
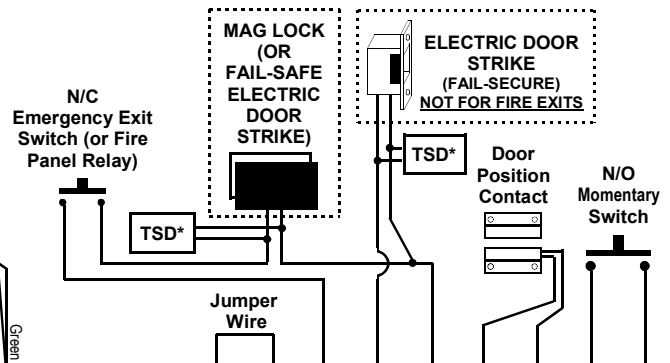
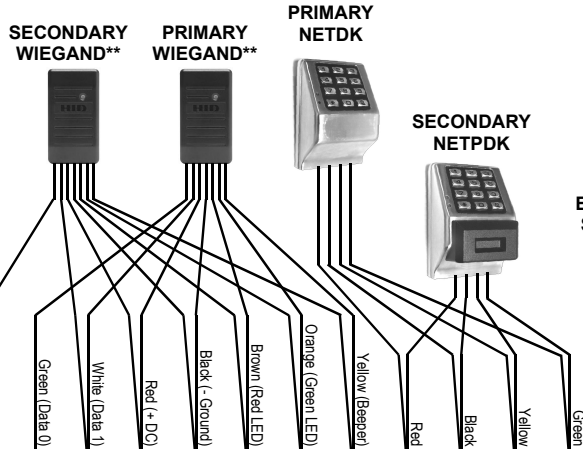
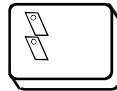


1. ALL TERMINAL VOLTAGES ARE 12VDC
2. MAXIMUM LOCK CURRENT (TERMINAL T19): 1.5A CURRENT LIMITED
3. BATTERY STANDBY TIME: 2 HOURS AT MAXIMUM LOAD AND 4AH BATTERY.
4. UNIT INTENDED TO BE MOUNTED WITH ANTENNA POINTED VERTICALLY.
5. RECOMMENDED BATTERIES: YUASA NP-4-12 AND NP7-12. BATTERIES MUST BE REPLACED EVERY 5 YEARS



COLD WATER GROUND CONNECTION
USE ONLY COLD-WATER PIPE OF BURIED GROUND ROD.
USE AT LEAST #16 AWG WIRE

AC IN, 16.5V/60HZ VIA TRF14 CLASS 2 TRANSFORMER
DO NOT CONNECT TO SWITCHED OUTLET.



*TSD = Transient Suppression Device (two supplied): Mount the TSD as close to the device to be protected as possible.

**Example device shown: HID ProxPoint® Plus Model 6005B.